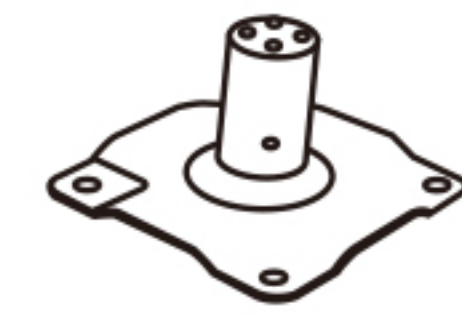


# ASSEMBLY INSTRUCTIONS

A. Seat x 1



B. Salver x 1



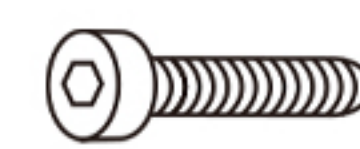
C. Legs x 4



D. Screws x 8



E. Screws x 2



F. Screws x 2



G. Flat washers x 8



H. Flat washers x 4



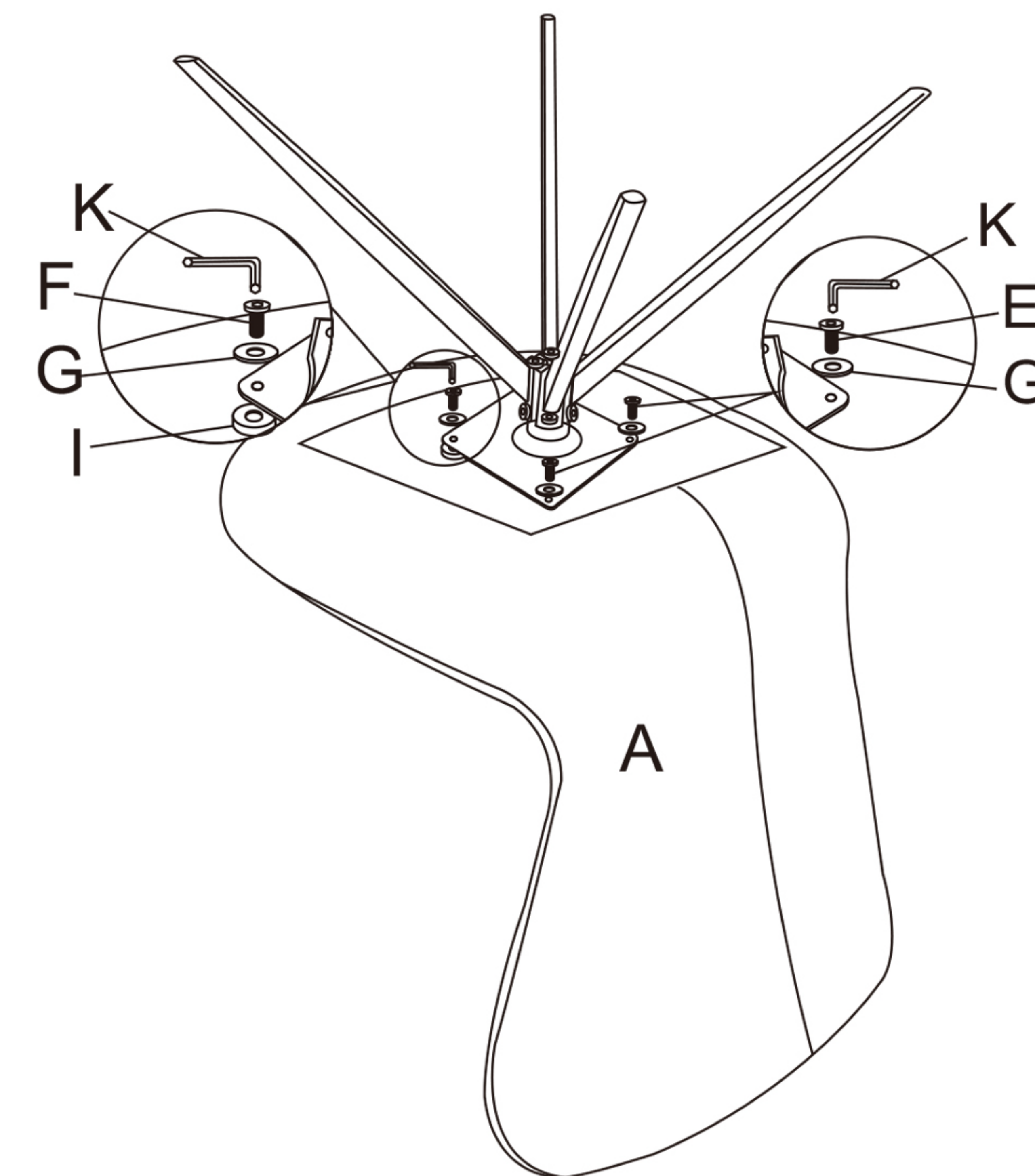
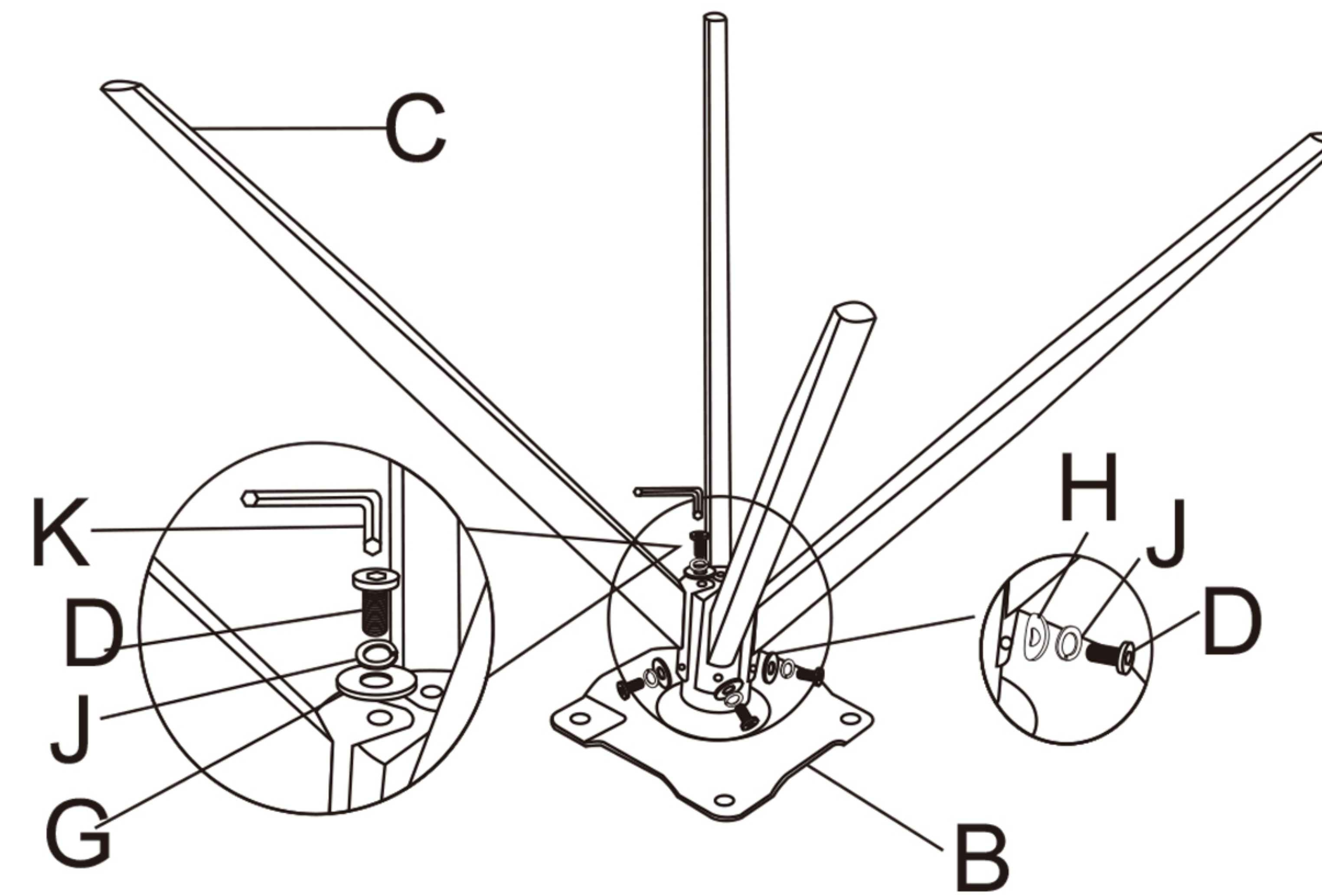
I. Rubber rings x 2



J. Lock washers x 8



K. Hex key x 1



1

2

Remark: First fix screws lightly by hand and at the end of the assembly fasten the screws firmly with tools.