

# ASSEMBLY INSTRUCTIONS

A. Backrest x 1



B. Metal frame x 1



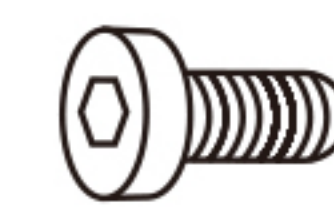
C. Seat x 1



D. Legs x 1



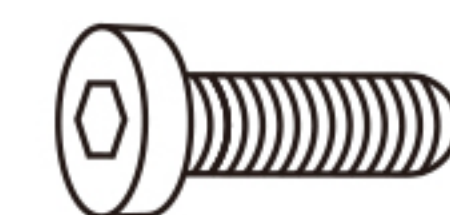
E. Screw x 1



F. Screws x 2



G. Screws x 6



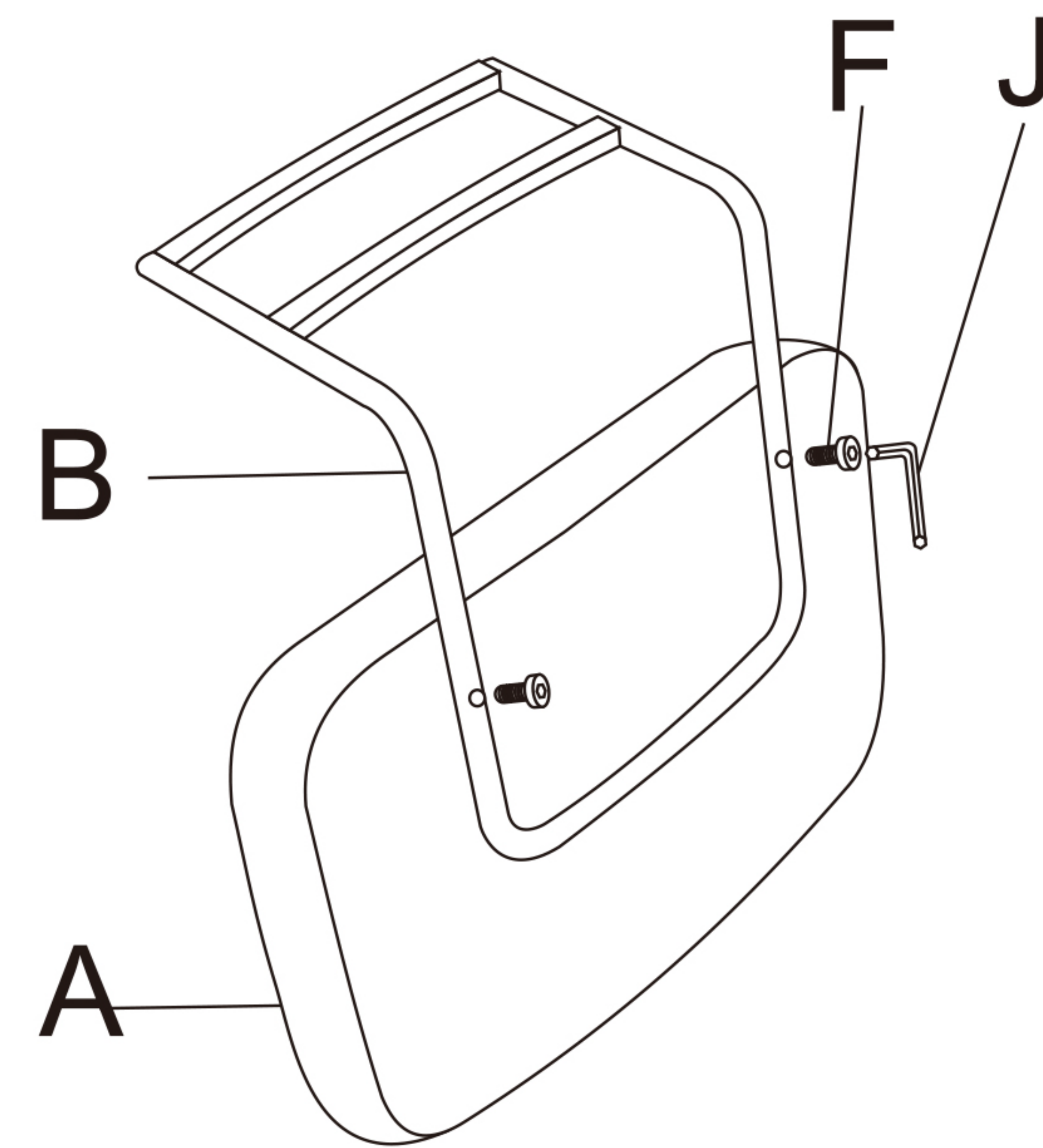
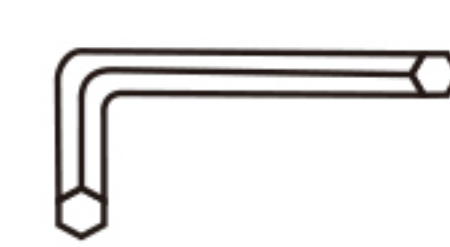
H. Flat washers x 7



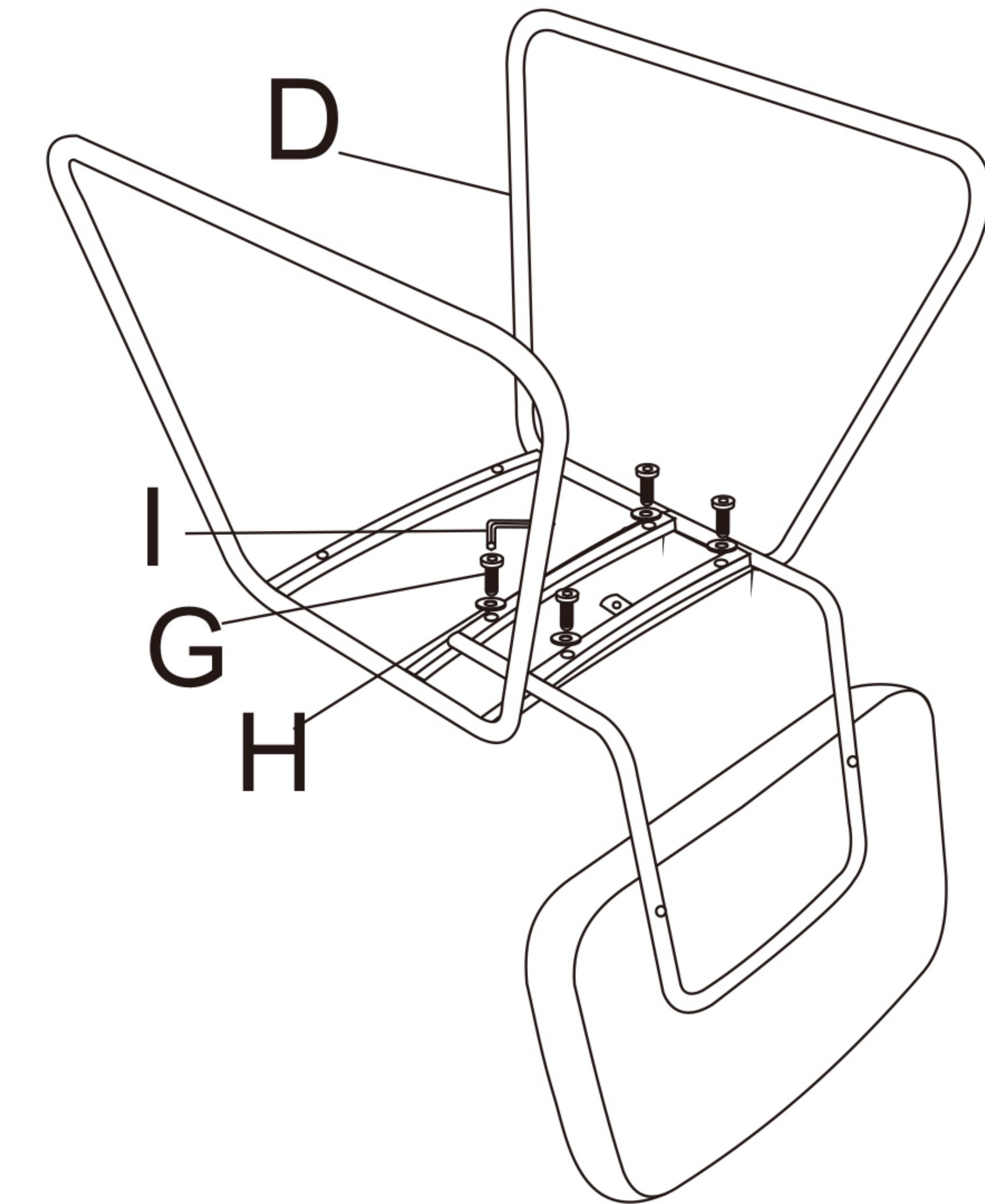
I. Hex key x 1



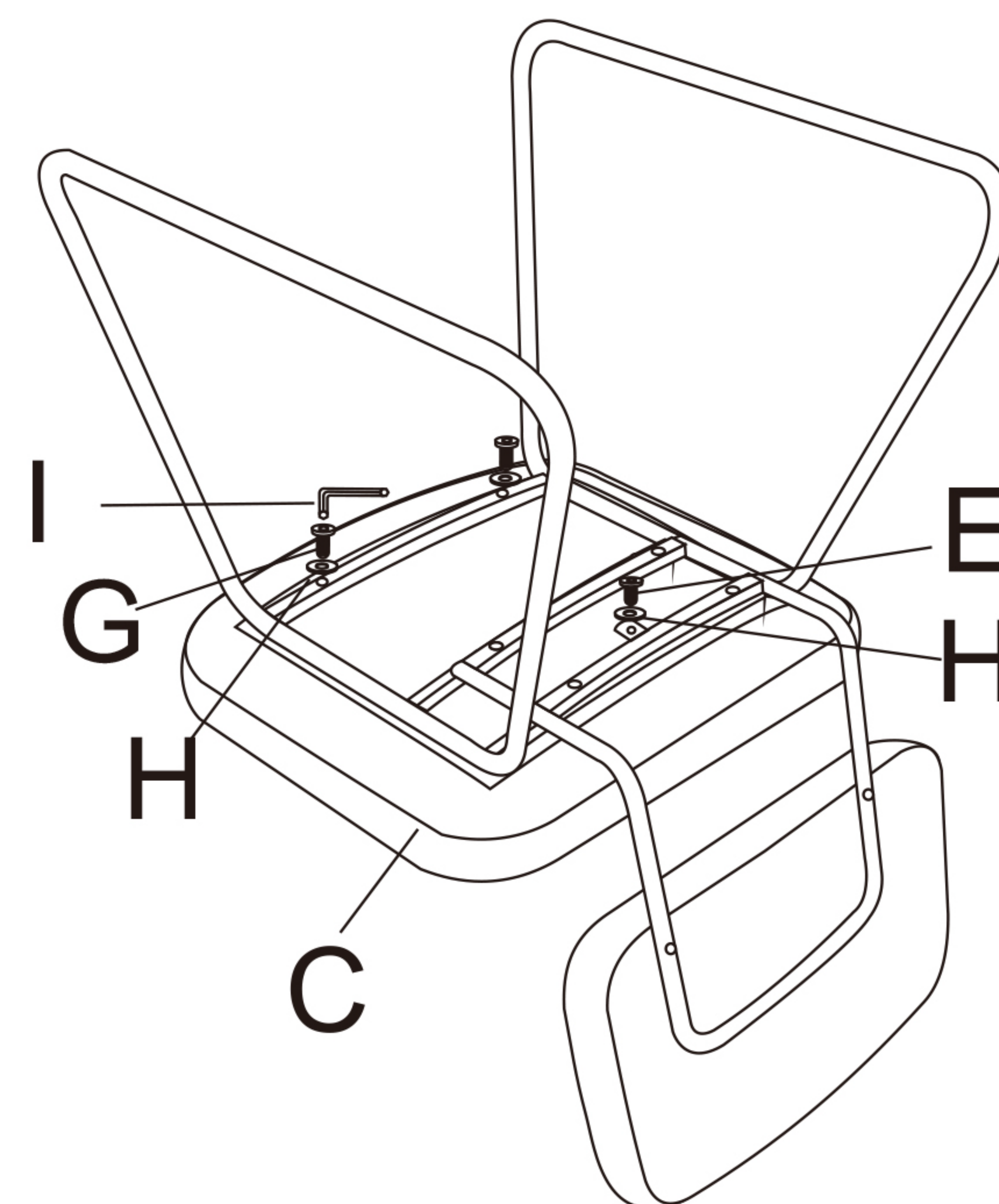
J. Hex key x 1



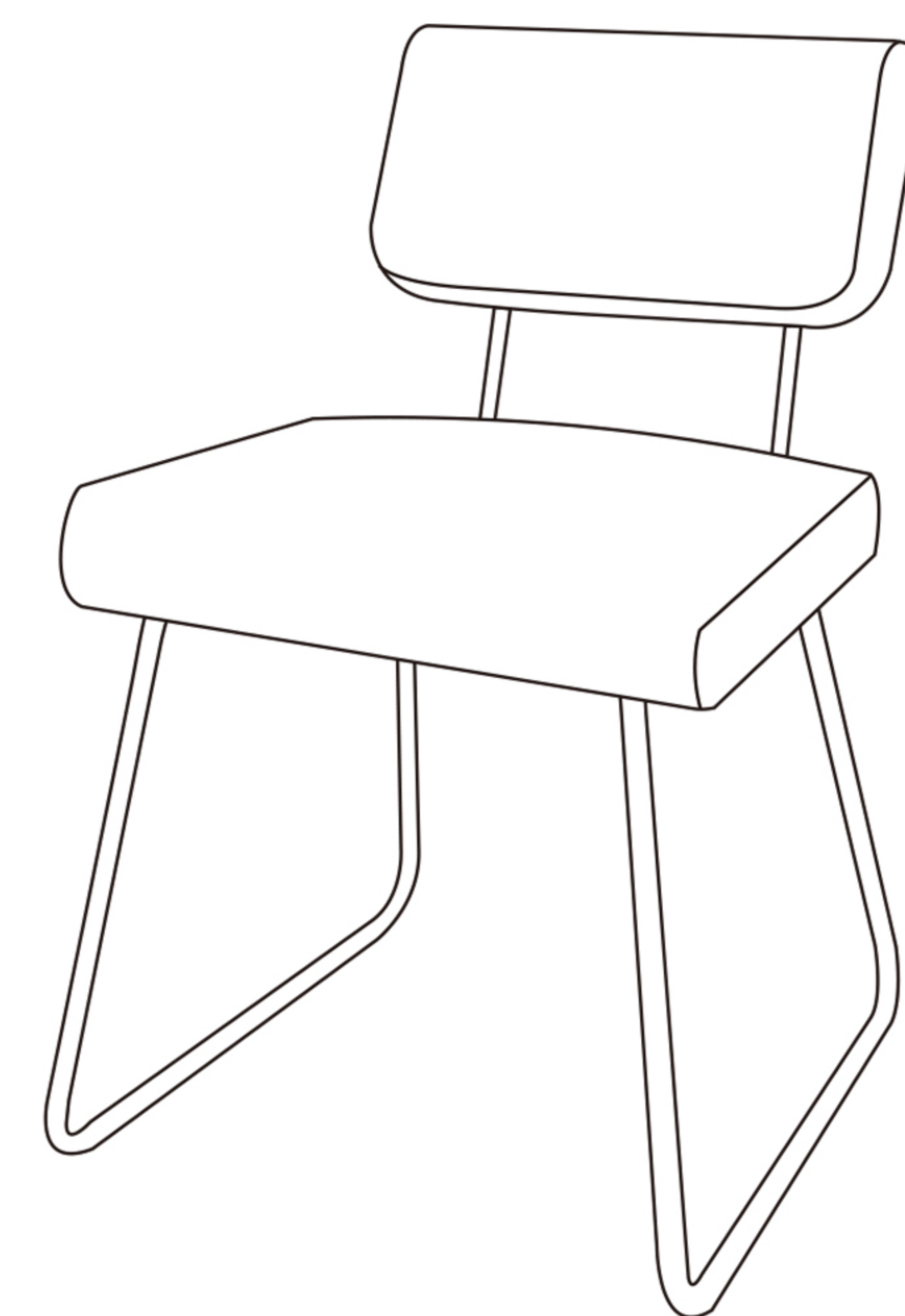
1



2



3



4

Remark: First fix screws lightly by hand and at the end of the assembly fasten the screws firmly with tools