

ASSEMBLY INSTRUCTIONS

A. Backrest x 1



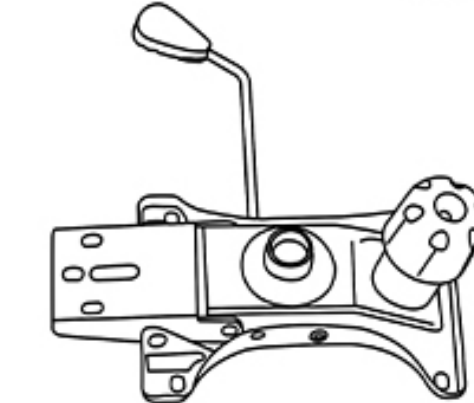
B. Seat x 1



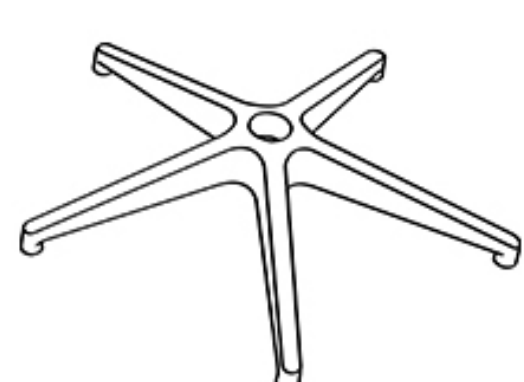
C. Armrests x 2



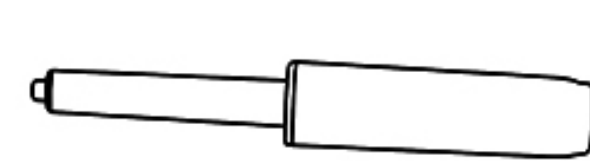
D. Salver x 1



E. Base x 1



F. Gaslift x 1



G. Wheels x 5



H. Screws x 4 (M6 x 20)



I. Screws x 4 (M6 x 16)



J. Screws x 3 (M8 x 20)



K. Flat washers x 7 (M8 x 16)



L. Lock washers x 3 (M8 x 12)



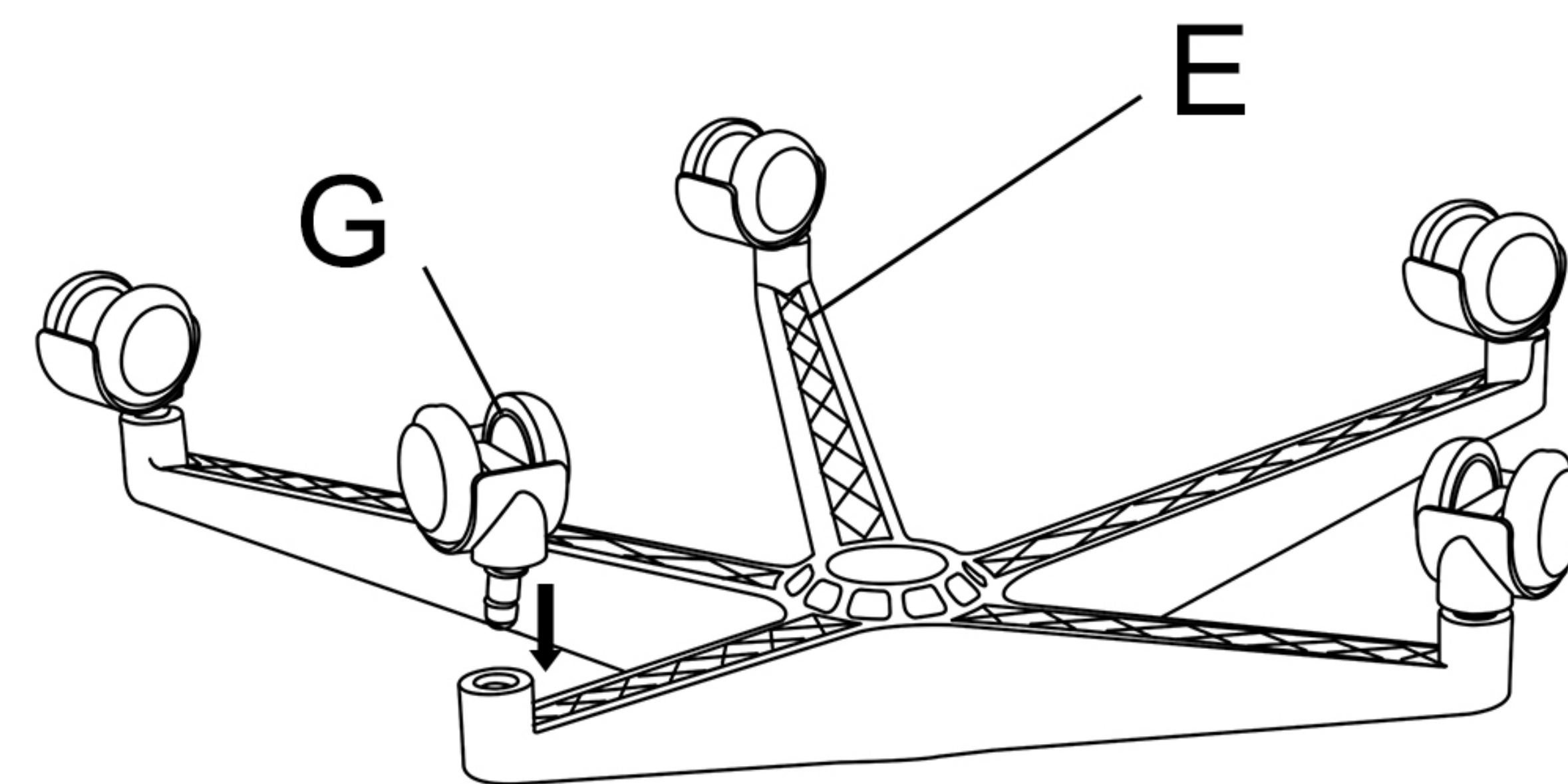
M. Covers x 2



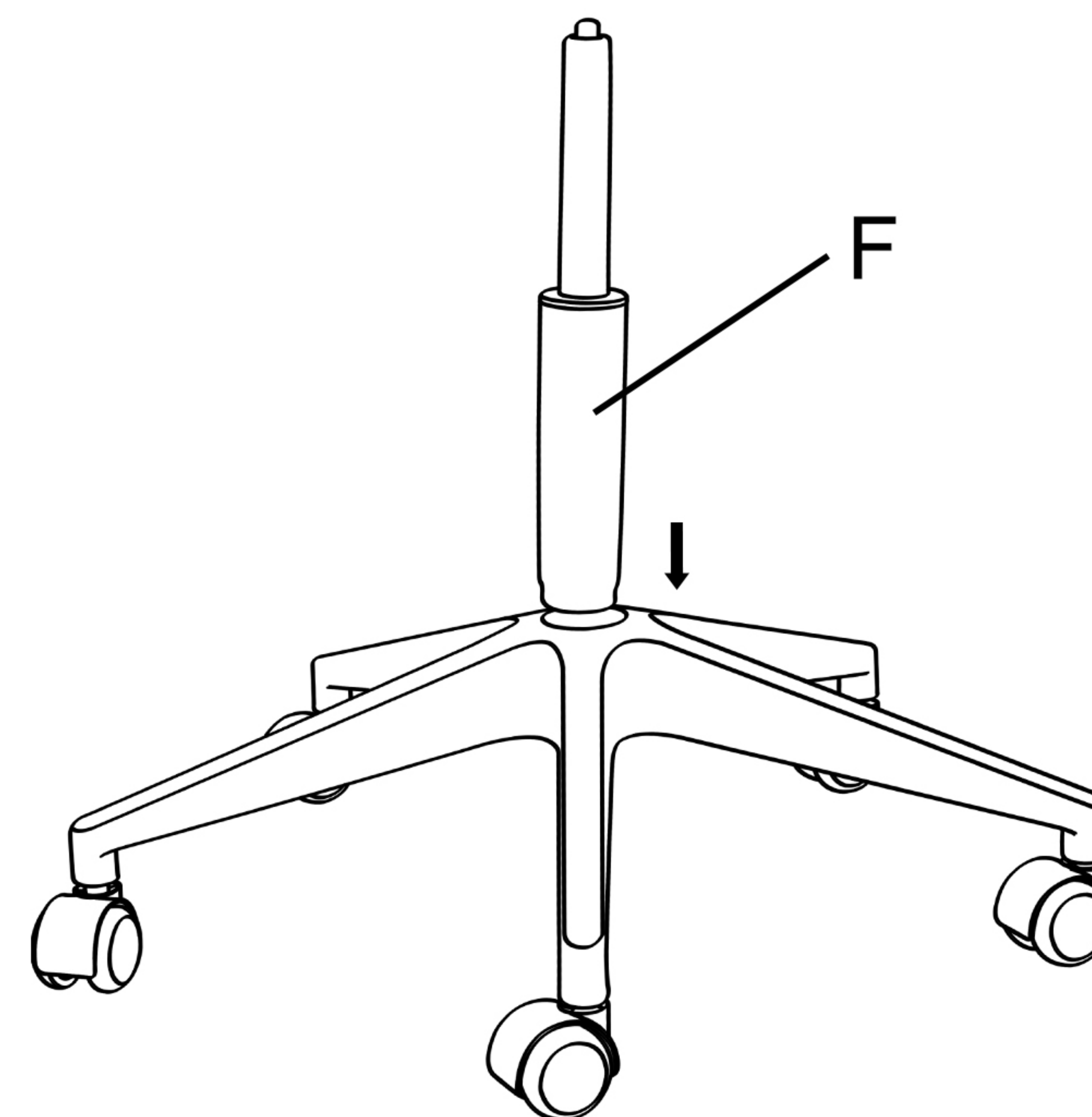
N. Plastic pieces x 2



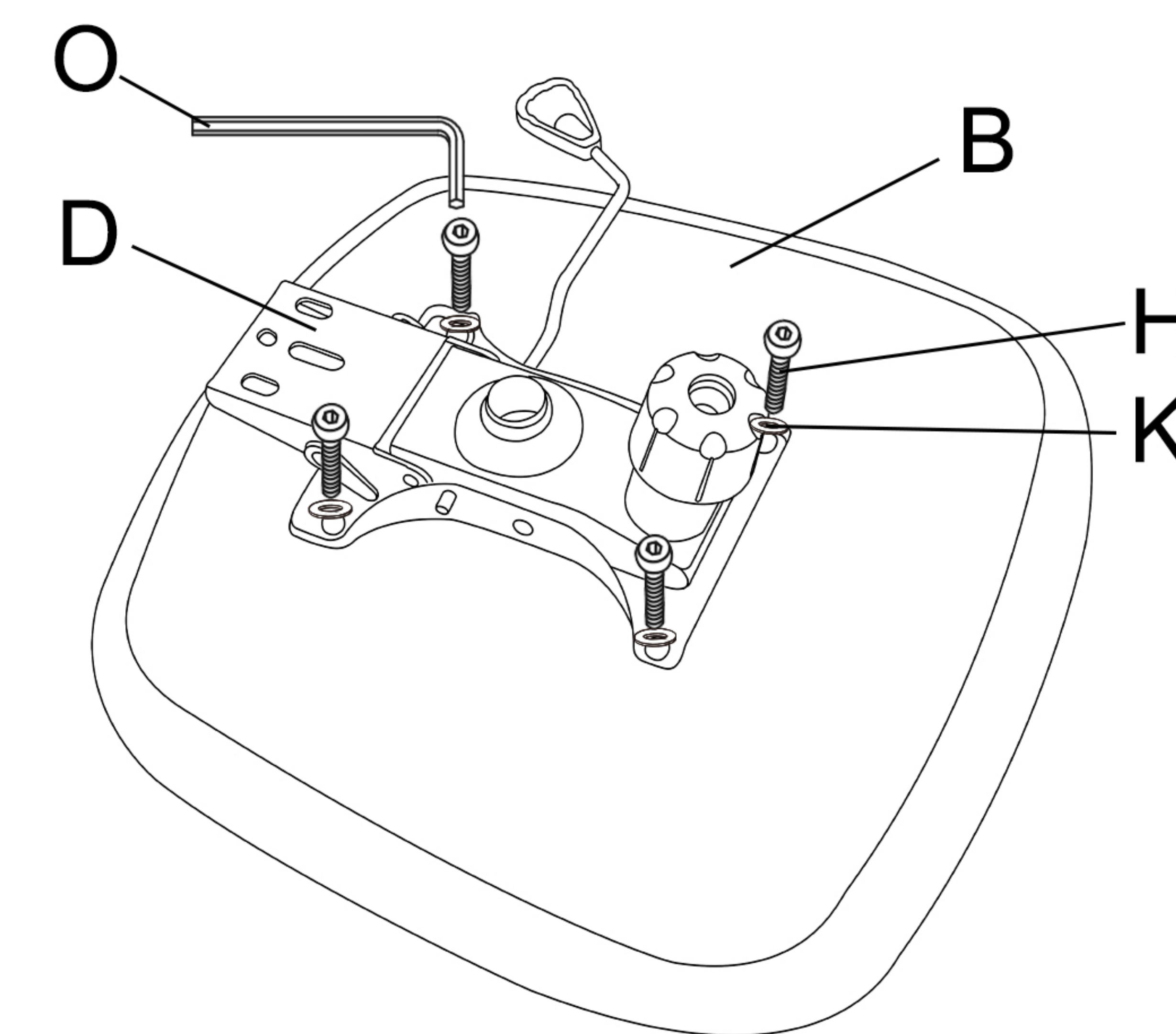
O. Hex key x 1



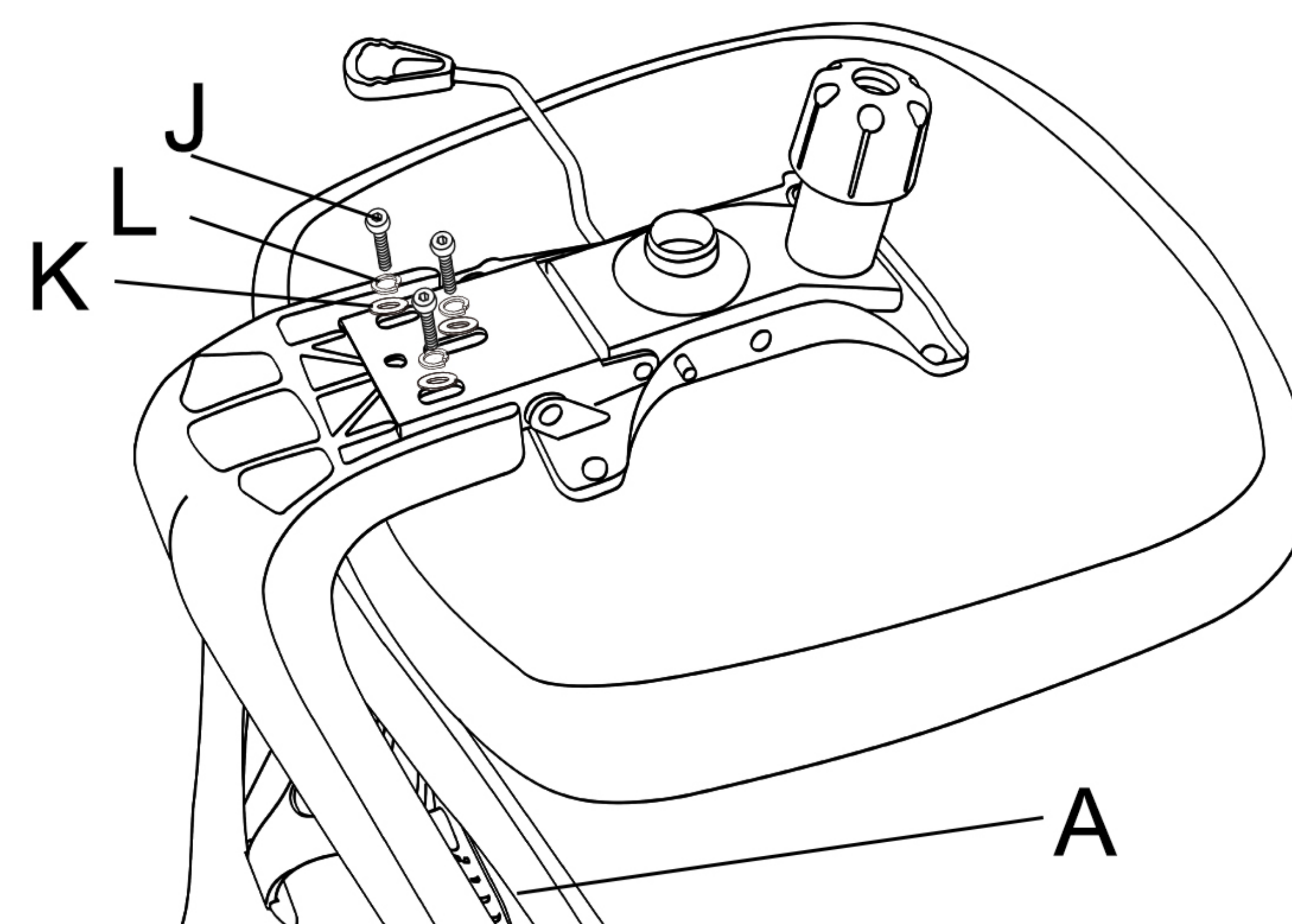
1



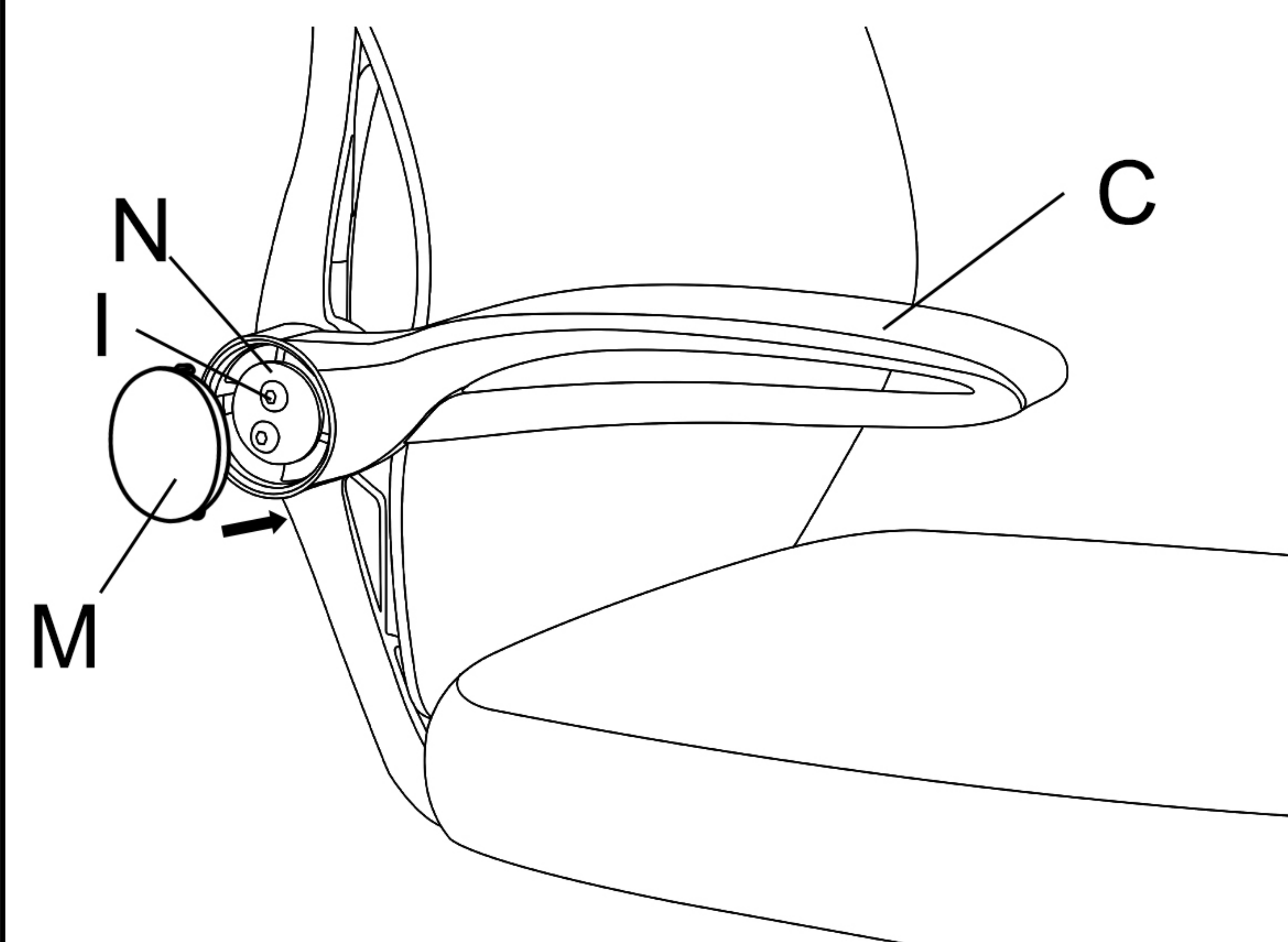
2



3



4



5



6

Remark: First fix screws lightly by hand and at the end of the assembly fasten the screws firmly with tools.