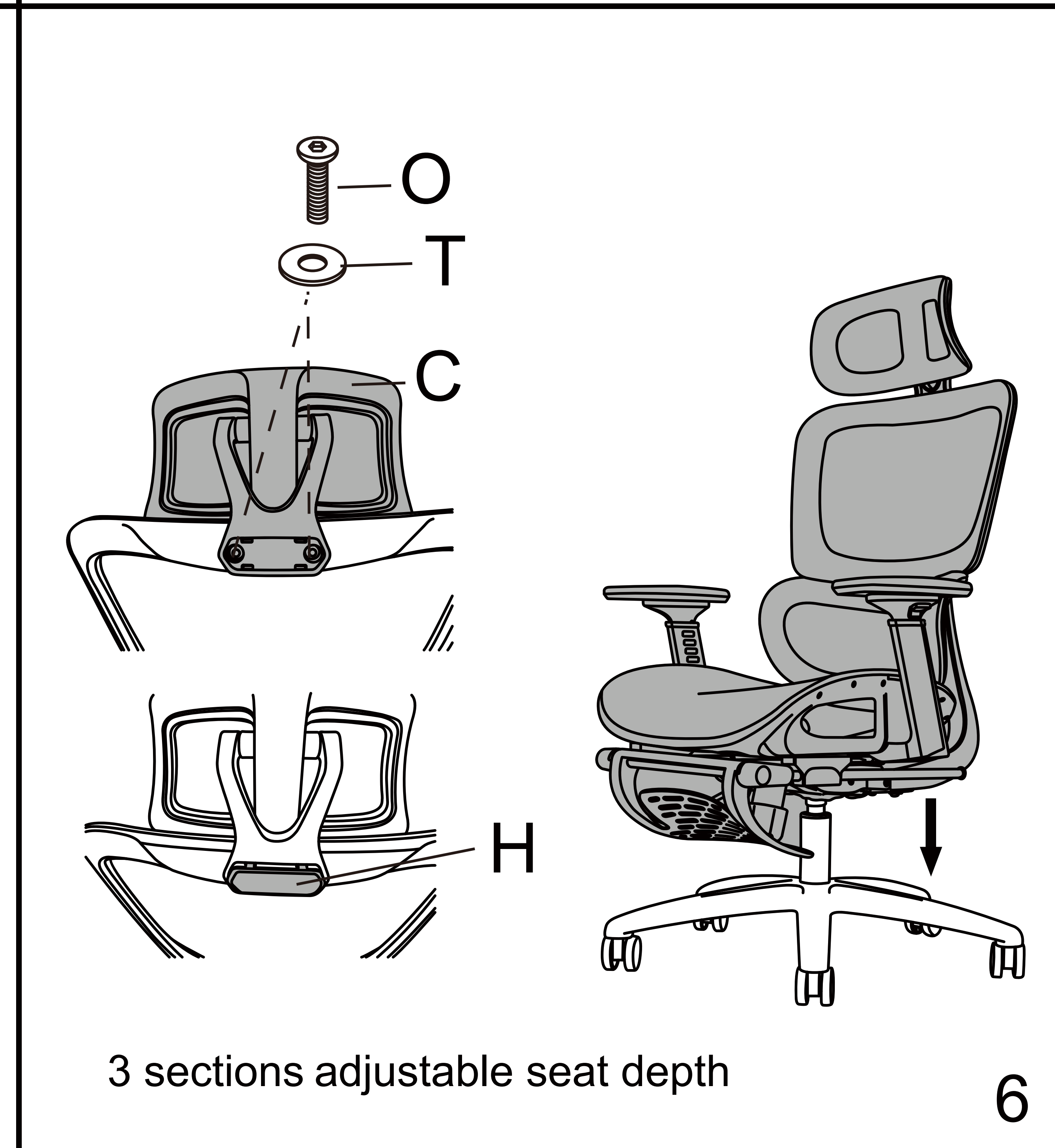
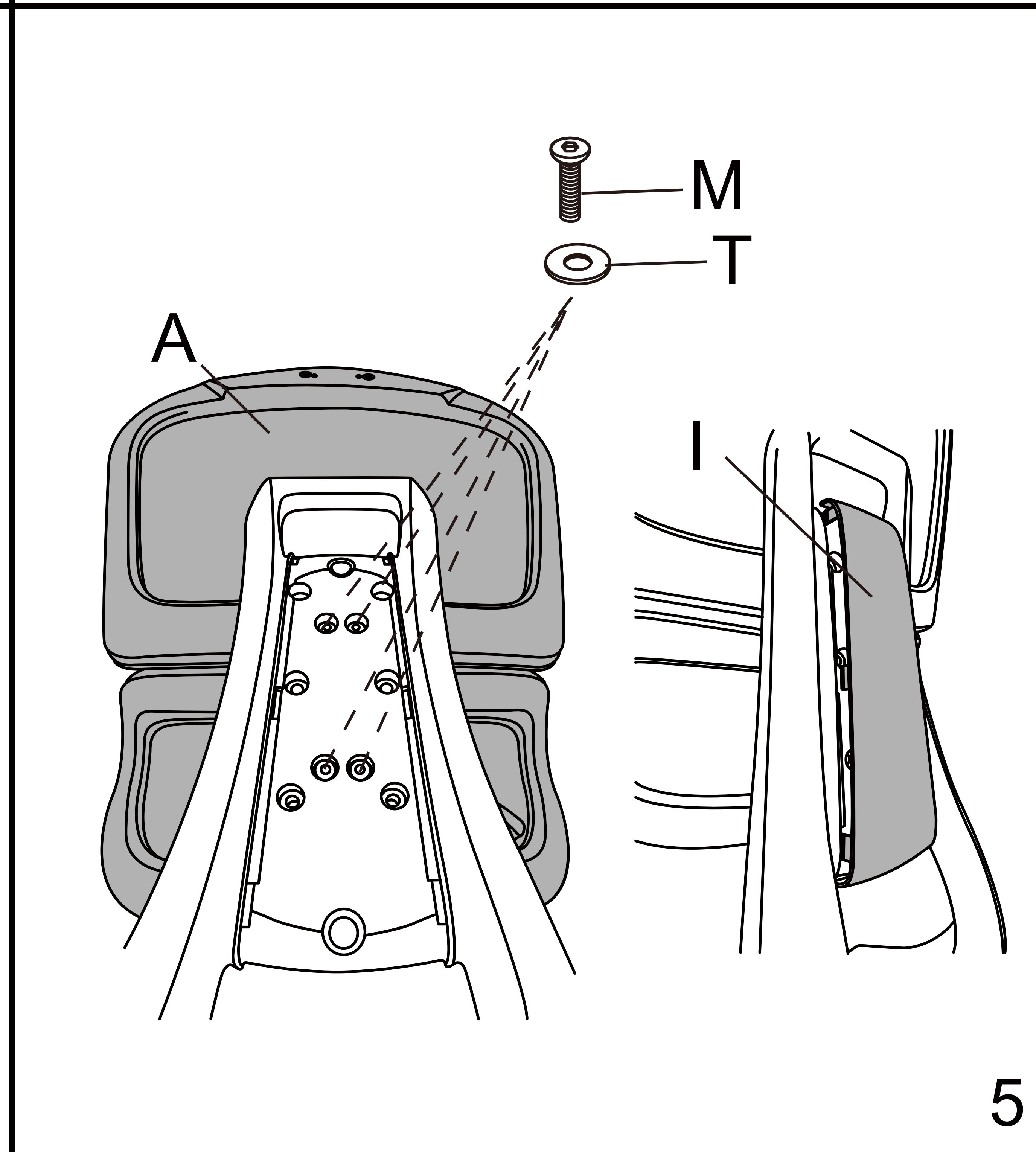
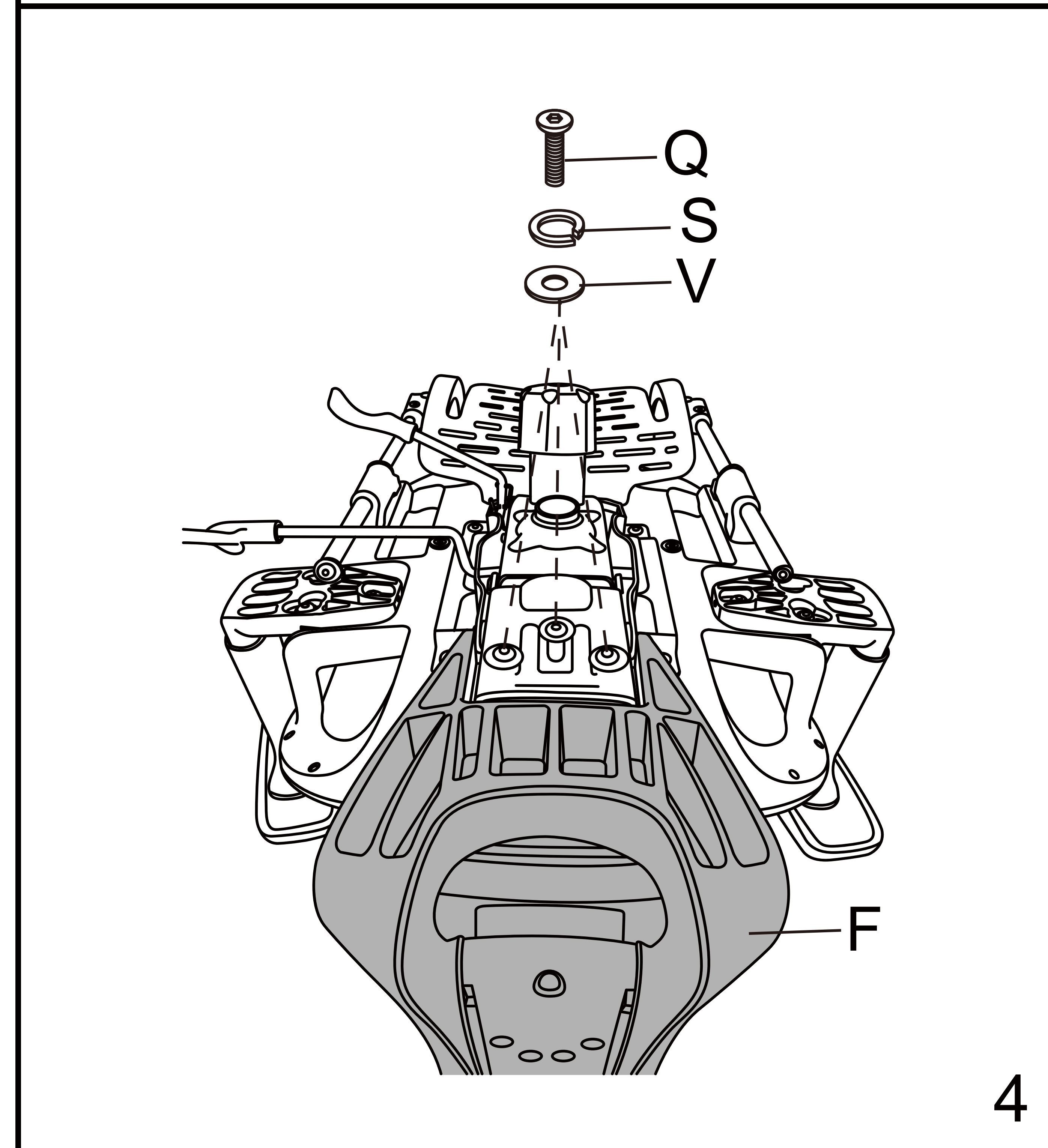
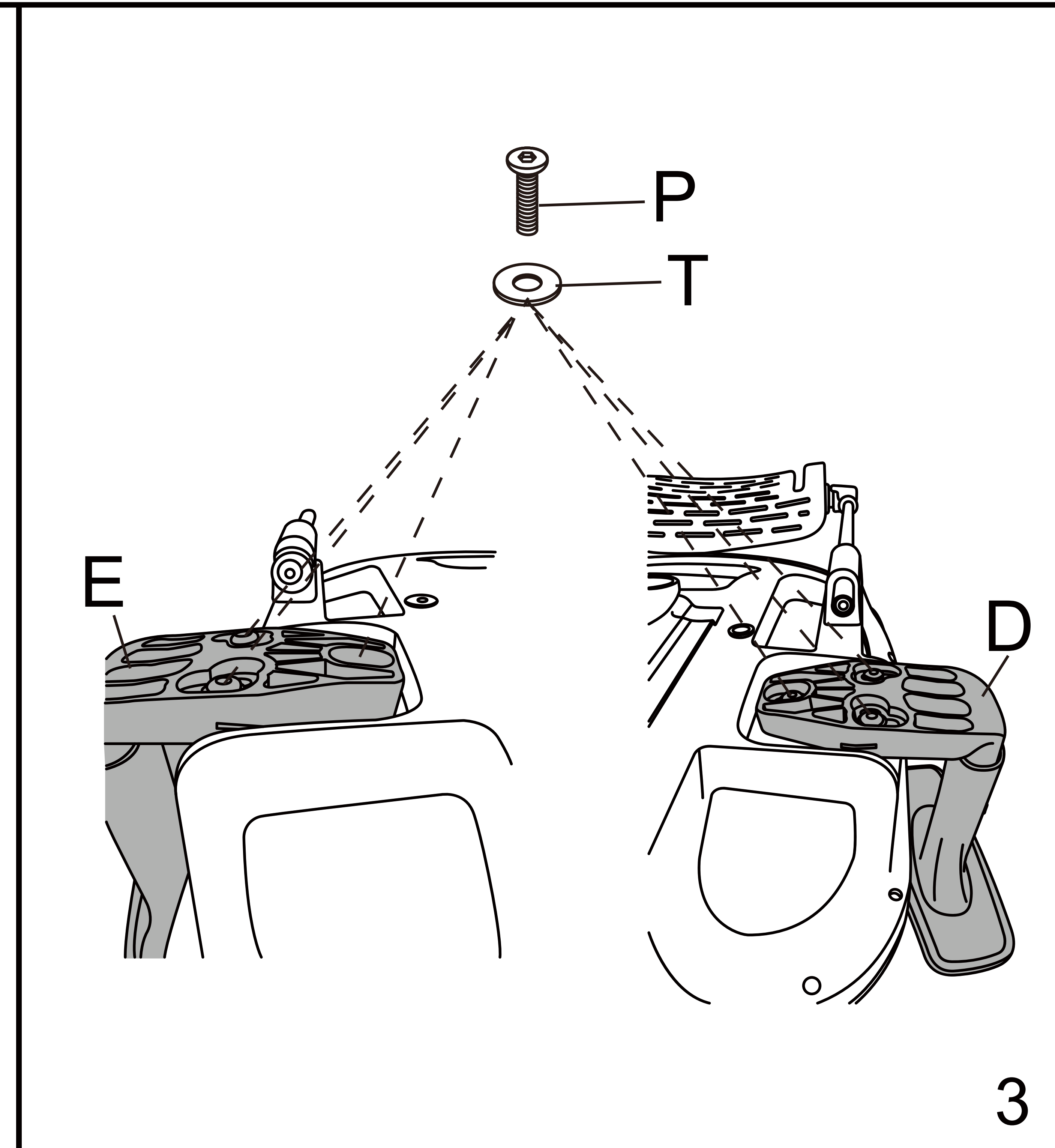
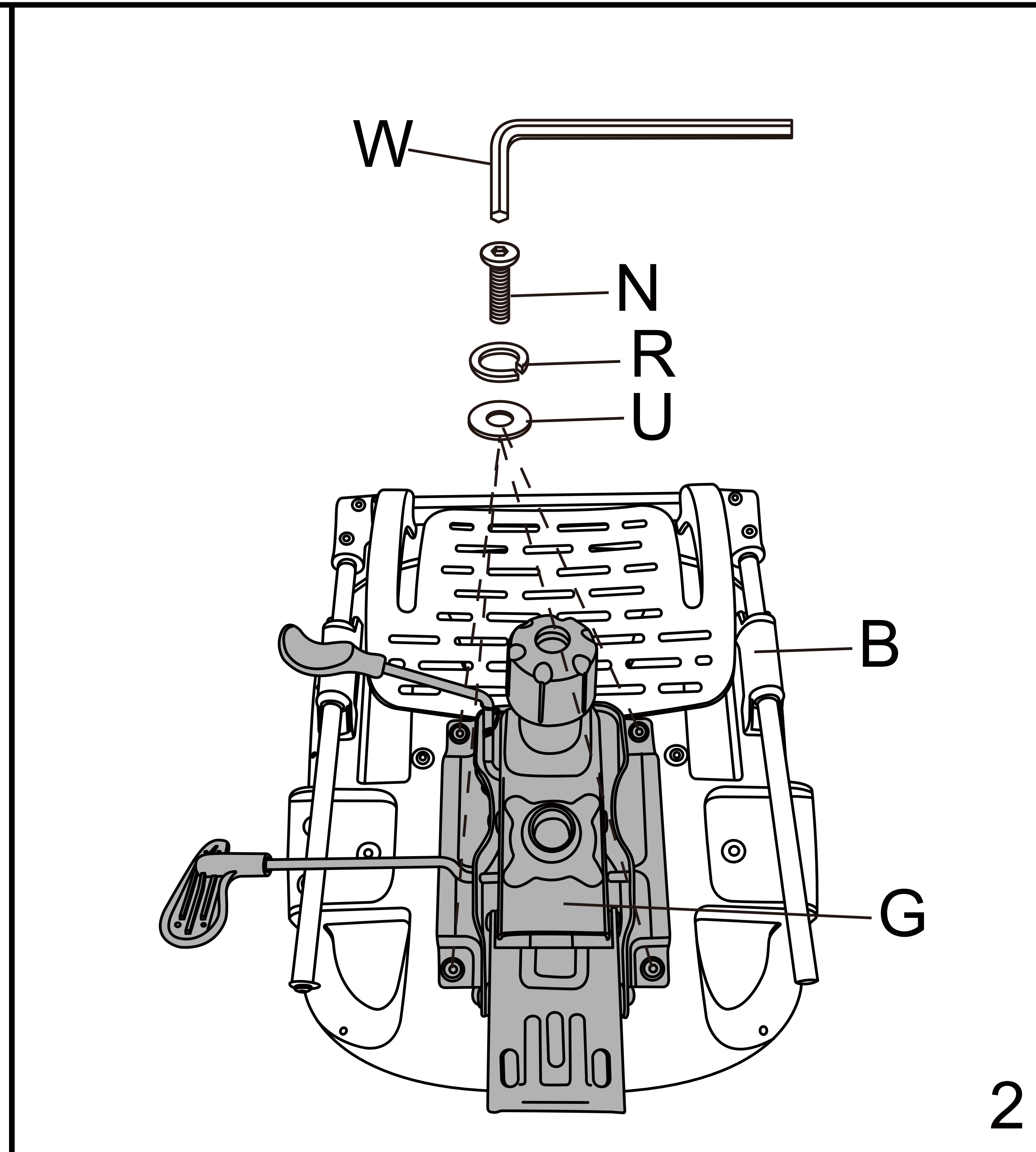
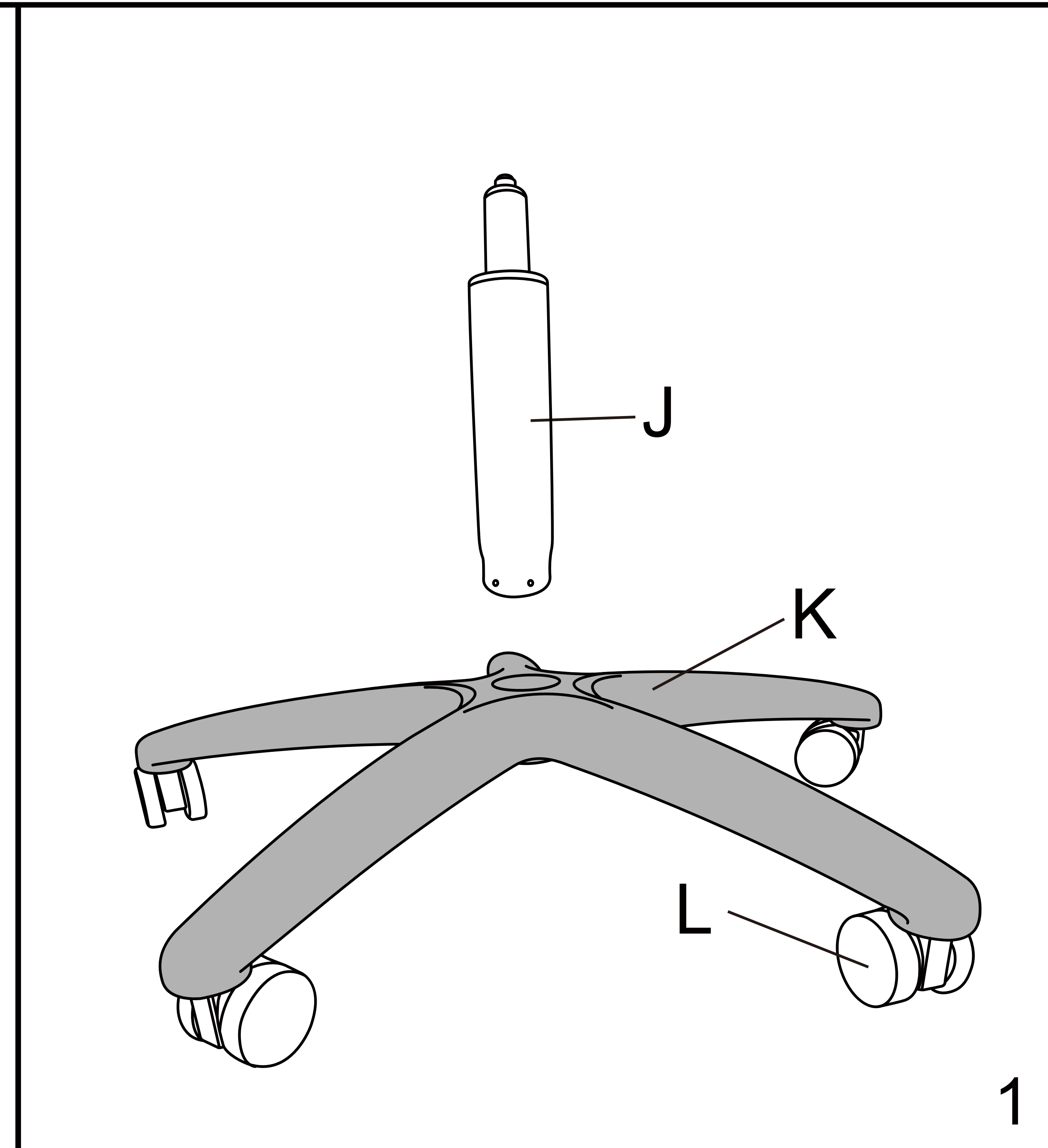
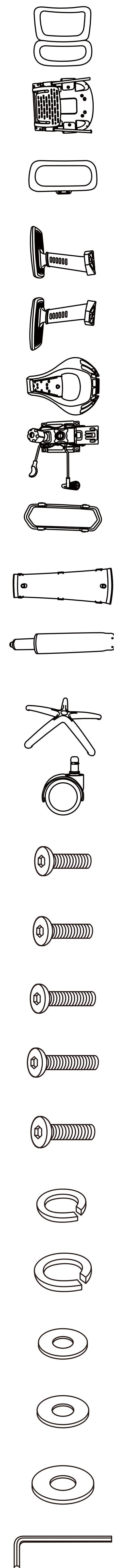


ASSEMBLY INSTRUCTIONS

- A. Backrest x 1
- B. Seat x 1
- C. Headrest x 1
- D. Armrest x 1
- E. Armrest x 1
- F. Plastic frame x 1
- G. Salver x 1
- H. Plastic shell x 1
- I. Plastic shell x 1
- J. Gaslift x 1
- K. Base x 1
- L. Wheels x 5
- M. Screws x 4 (M6 x 16)
- N. Screws x 4 (M6 x 20)
- O. Screws x 2 (M6 x 25)
- P. Screws x 6 (M6 x 30)
- Q. Screws x 3 (M8 x 25)
- R. Lock washers x 4 M6
- S. Lock washers x 3 M8
- T. Flat washers x 12 (M6 x 14)
- U. Flat washers x 4 (M6 x 16)
- V. Flat washers x 3 (M8 x 20)
- W. Hex key M6 x 1



Remark: First fix screws lightly by hand and at the end of the assembly fasten the screws firmly with tools.